

High-Fidelity Stereo Headphone Amplifier with Negative Charge Pump and Bypass Switches

Features

- True 130 dB SNR without Any Noise-Gate Trick
- Over 110 dB THD+N with 600 Ω and 300 Ω Load
- Max 2 Vrms Output Voltage for 600 Ω Drive
- Single Power Supply Operation (2.5 V to 3.1 V)
- Capacitor-free Output Drives with An Integrated Charge Pump for A Negative Supply Rail
- Click and Pop Suppression
- Stereo AUX Input to Output Bypass Switches and Control Pin
- High Surge-Immunity (> 80 V) at IEC61000-4-5 Standard Condition - 1.2 μs / 50 μs

Applications

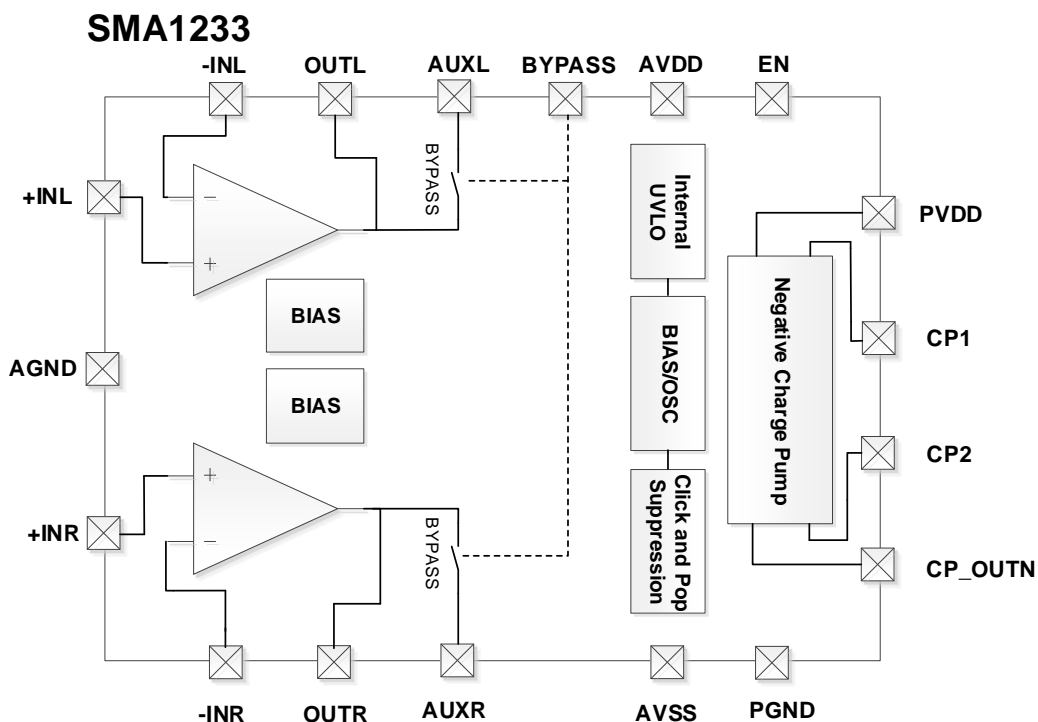
- Hi-Fi Headphone Amplifiers with Hi-Fi DAC
- Mobile Audio Products
- Wireless Audio Products

Description

This document contains detailed target specifications for the SMA1233, a high-fidelity stereo headphone amplifier with negative charge pump and aux input to output bypass switches.

Device Information

Part Number	Package	Body Size
SMA1233-W	4 x 5 - WLCSP	2.07 mm x 1.69 mm
SMA1233-F	24 - QFN	4.0 mm x 4.0 mm



* Technology by

